

Rev.	Sym.	Q'TY	ICN/ECN NO	Changed by	Date
V1.0			the first release		

COMPANY CONFIDENTIAL

A

B

C

D

E

F

A

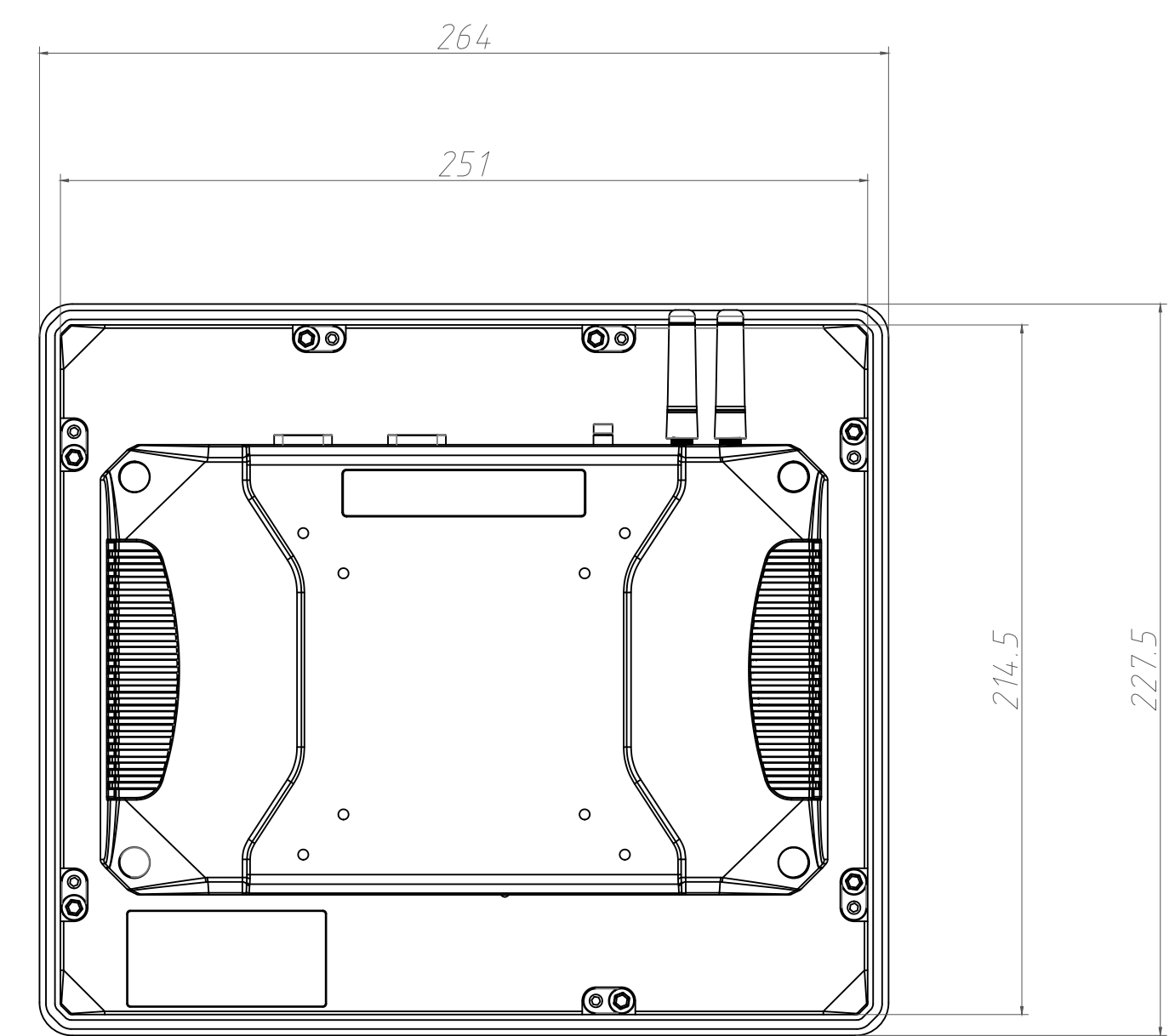
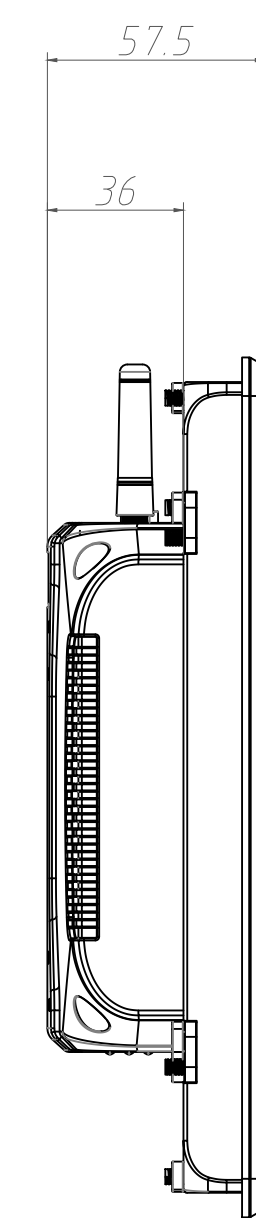
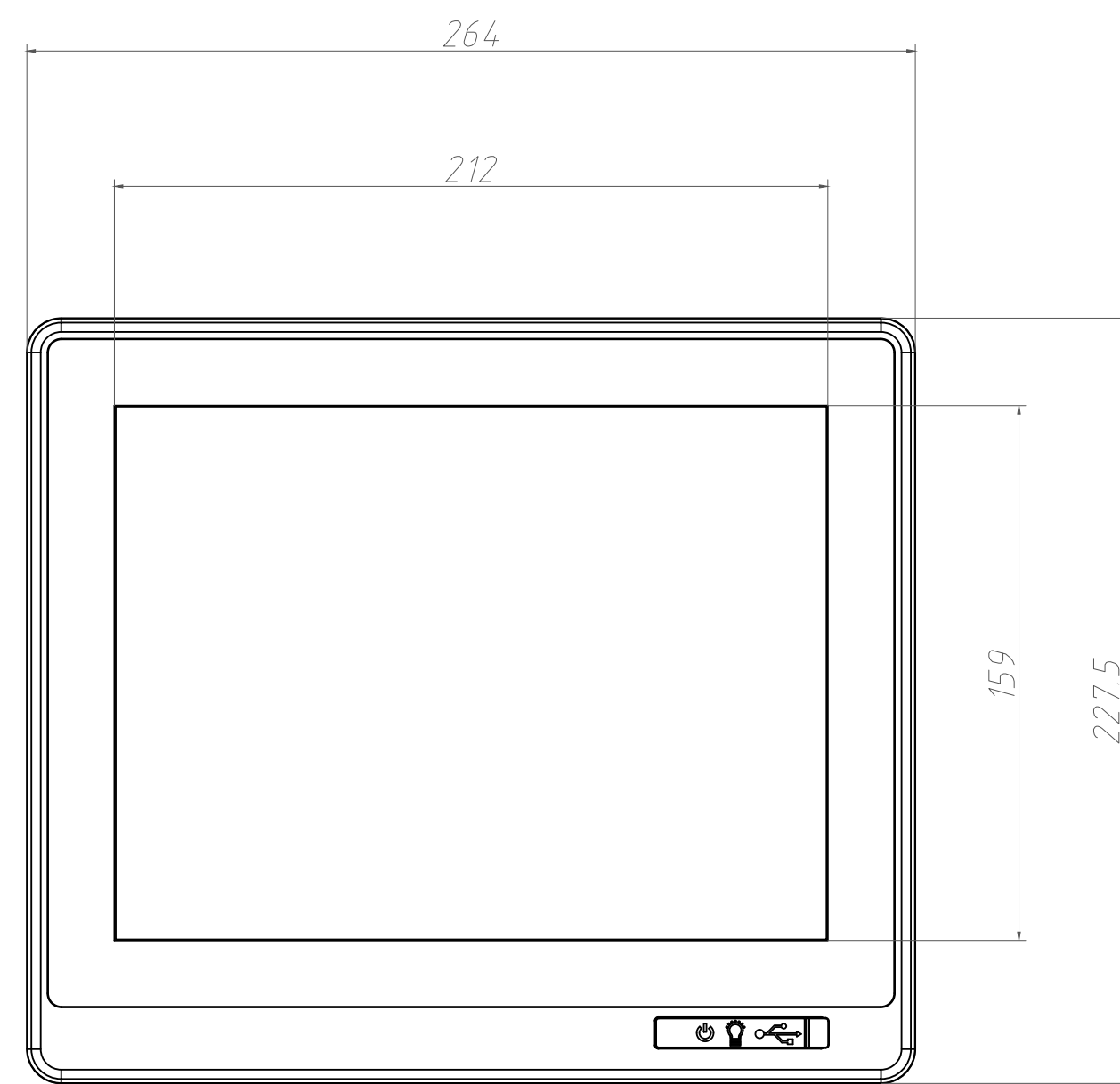
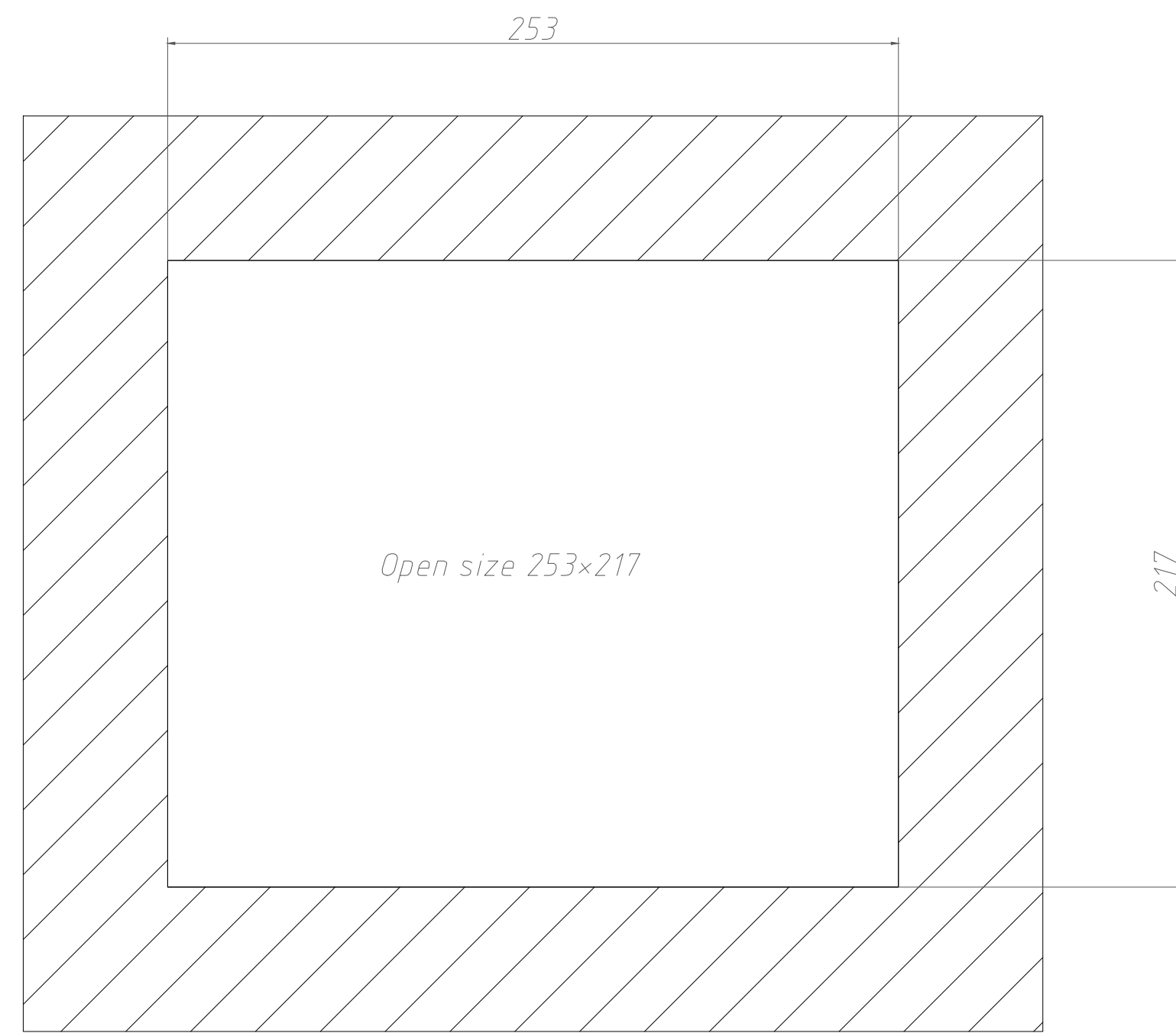
B

C

D

E

F



PANELMATE Creative HMI Solution First angle system 	Project Name :		Part Name	
	Design		Part No	
	Check		Material	See Notes
	Approve		Process	See Notes
			Size: A0	Scale: 1:1
			Unit: mm	Sheet: 1 of 1